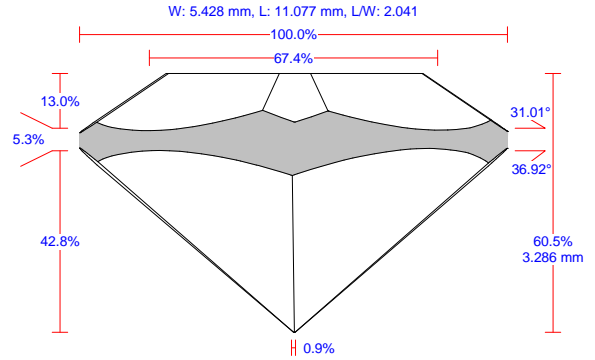


# HELIUM FULL REPORT

# Semi-polished Rounded Fancy

## General information

|                       |                 |
|-----------------------|-----------------|
| Model                 | Simple          |
| Expert name           | Makoed A.G.     |
| Report date           | 05.07.2007      |
| Real weight, ct       |                 |
| Calculated weight, ct | 1.18, 1.1869    |
| Spread                | 0.27 ct, 18.90% |



## Main parameters

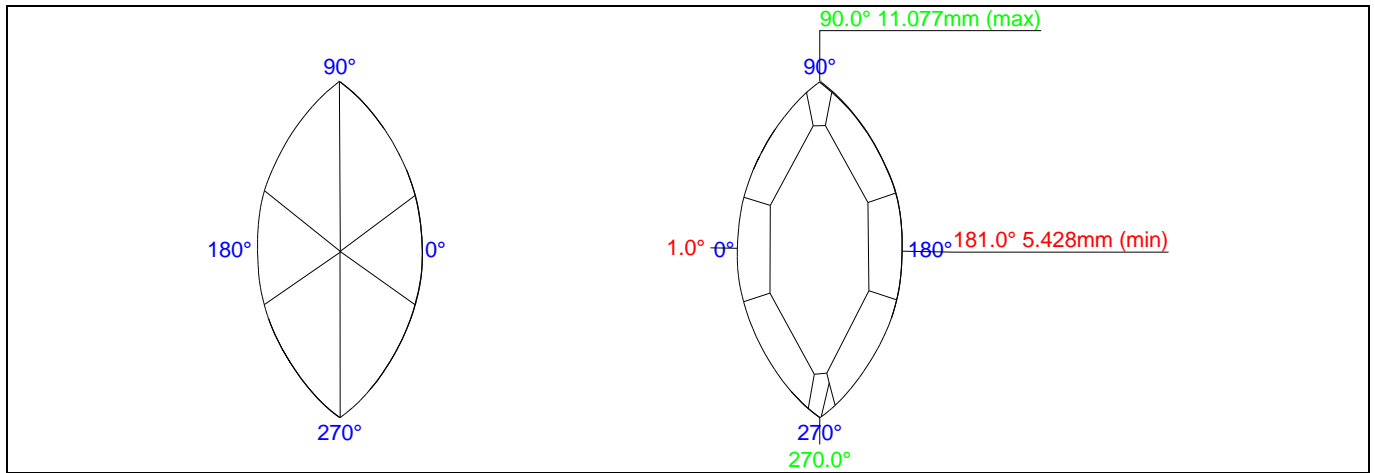
| Parameter                       |    | Avg   | Min   | Max    | Dev                |
|---------------------------------|----|-------|-------|--------|--------------------|
| Diameter                        | mm | 8.141 | 5.428 | 11.077 | 104.06 %, 5.649 mm |
| Pavilion depth                  | %  | 42.84 | 42.51 | 43.10  | 0.58               |
| Pavilion depth                  | mm | 2.326 | 2.308 | 2.339  | 0.032              |
| Pavilion depth at girdle minima | %  | N/A   | N/A   | N/A    | N/A                |
| Pavilion depth at girdle minima | mm | N/A   | N/A   | N/A    | N/A                |
| Crown height                    | %  | 12.95 | 11.31 | 13.88  | 2.58               |
| Crown height                    | mm | 0.703 | 0.614 | 0.754  | 0.140              |
| Crown height at girdle minima   | %  | 11.17 | 11.17 | 11.17  | 0.00               |
| Crown height at girdle minima   | mm | 0.606 | 0.606 | 0.606  | 0.000              |
| Total height                    | %  | 60.53 |       |        |                    |
| Total height                    | mm | 3.286 |       |        |                    |
| Table                           | %  | 67.35 | 60.69 | 74.02  | 13.32              |
| Table                           | mm | 5.747 | 3.295 | 8.199  | 4.904              |
| Culet                           | %  | 0.93  | 0.45  | 1.35   | 0.91               |
| Culet                           | mm | 0.051 | 0.024 | 0.073  | 0.049              |
| Girdle thickness: Bezel         | %  | 5.30  | 3.55  | 12.50  | 8.94               |
| Girdle thickness: Bezel         | mm | 0.288 | 0.193 | 0.678  | 0.486              |
| Girdle thickness: Valley        | %  | 11.81 | 11.81 | 11.81  | 0.00               |
| Girdle thickness: Valley        | mm | 0.641 | 0.641 | 0.641  | 0.000              |

| Offset                            |    | Distance      | Width wise | Length wise |
|-----------------------------------|----|---------------|------------|-------------|
| Culet-Table offset by table axis  | %  | 1.32 ± 0.35   | 0.07       | 1.32        |
| Culet-Table offset by table axis  | mm | 0.072 ± 0.019 | 0.004      | 0.071       |
| Girdle-Culet offset by table axis | %  | 1.21 ± 0.34   | 0.14       | 1.20        |
| Girdle-Culet offset by table axis | mm | 0.066 ± 0.018 | 0.007      | 0.065       |
| Girdle-Table offset by table axis | %  | 0.23 ± 0.31   | 0.20       | 0.11        |
| Girdle-Table offset by table axis | mm | 0.013 ± 0.017 | 0.011      | 0.006       |
| Girdle to table-culet line offset | %  | 0.31          |            |             |
| Girdle to table-culet line offset | mm | 0.017         |            |             |

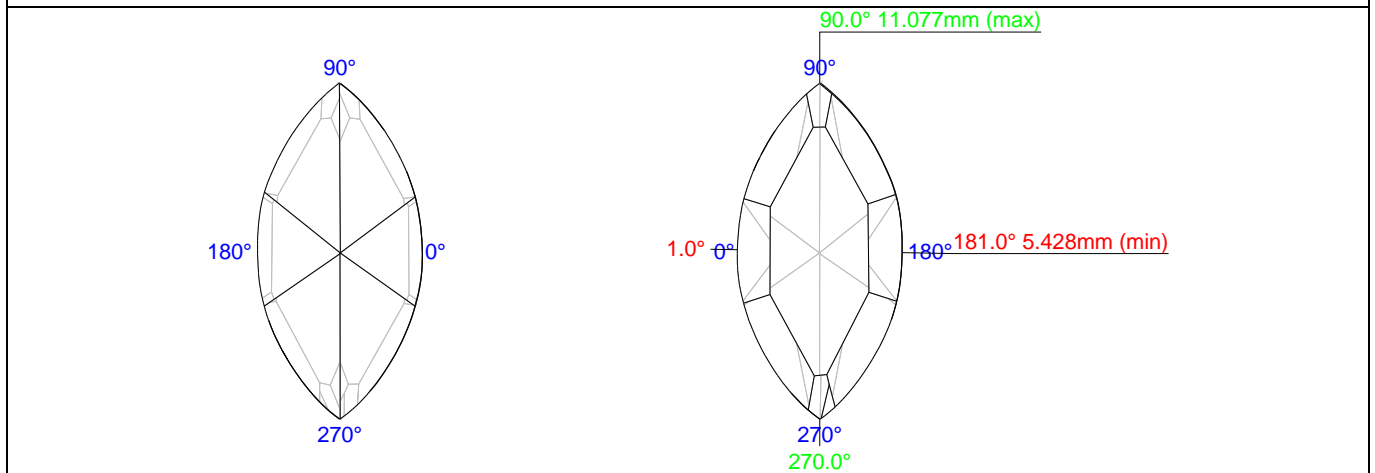
| Culet shift ratio by width & length |                                       |
|-------------------------------------|---------------------------------------|
| Width                               | 5.428 mm, 100%                        |
| Width-wise culet shift ratio        | 2.723 mm, 50.17 %   2.708 mm, 49.88 % |
| Length                              | 11.077 mm, 100%                       |
| Length-wise culet shift ratio       | 5.473 mm, 49.41 %   5.604 mm, 50.59 % |

| Culet shift ratio by main diameter |   |
|------------------------------------|---|
| Main diameter (width)              | 5.428 mm, (100%)                        |
| Width-wise culet shift ratio       | 2.723 mm, 50.17 %   2.708 mm, 49.88 %   |
| Length-wise culet shift ratio      | 5.473 mm, 100.83 %   5.604 mm, 103.24 % |

# Pavilion and crown views of the diamond with indication of the diameter minimum and maximum

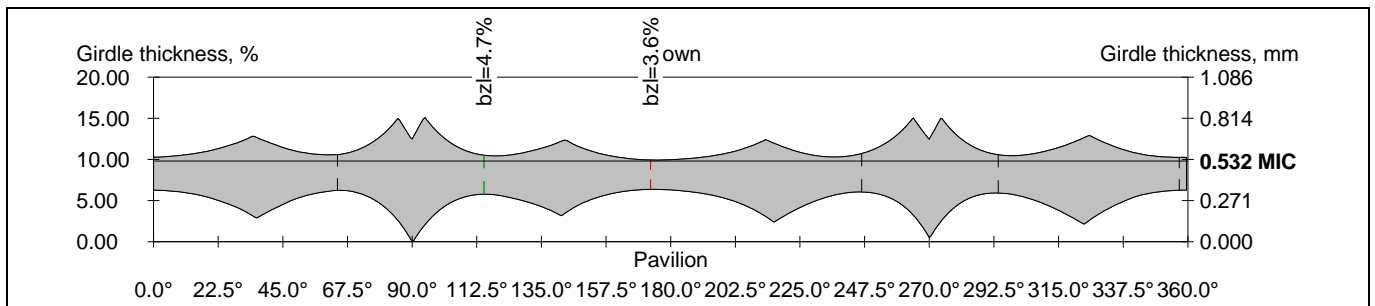


Invisible edges are hidden

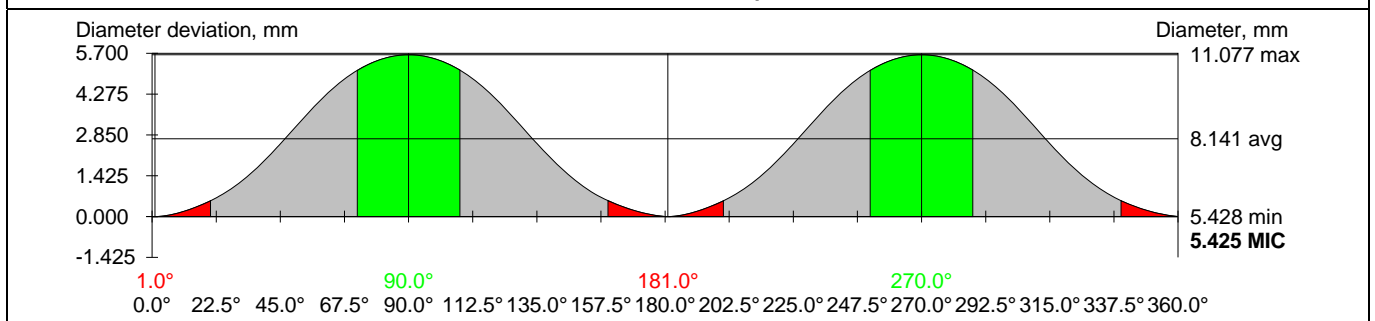


Invisible edges are drawn taking refraction into account

## Plots

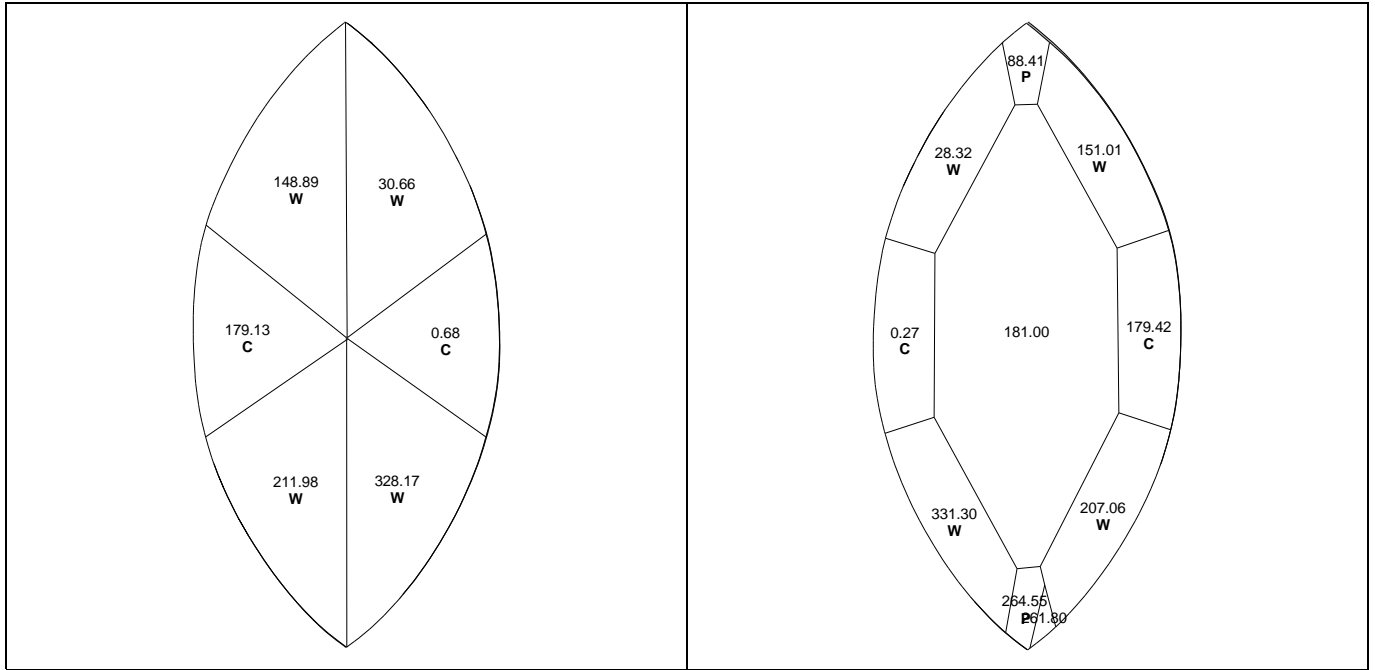


Girdle thickness plot

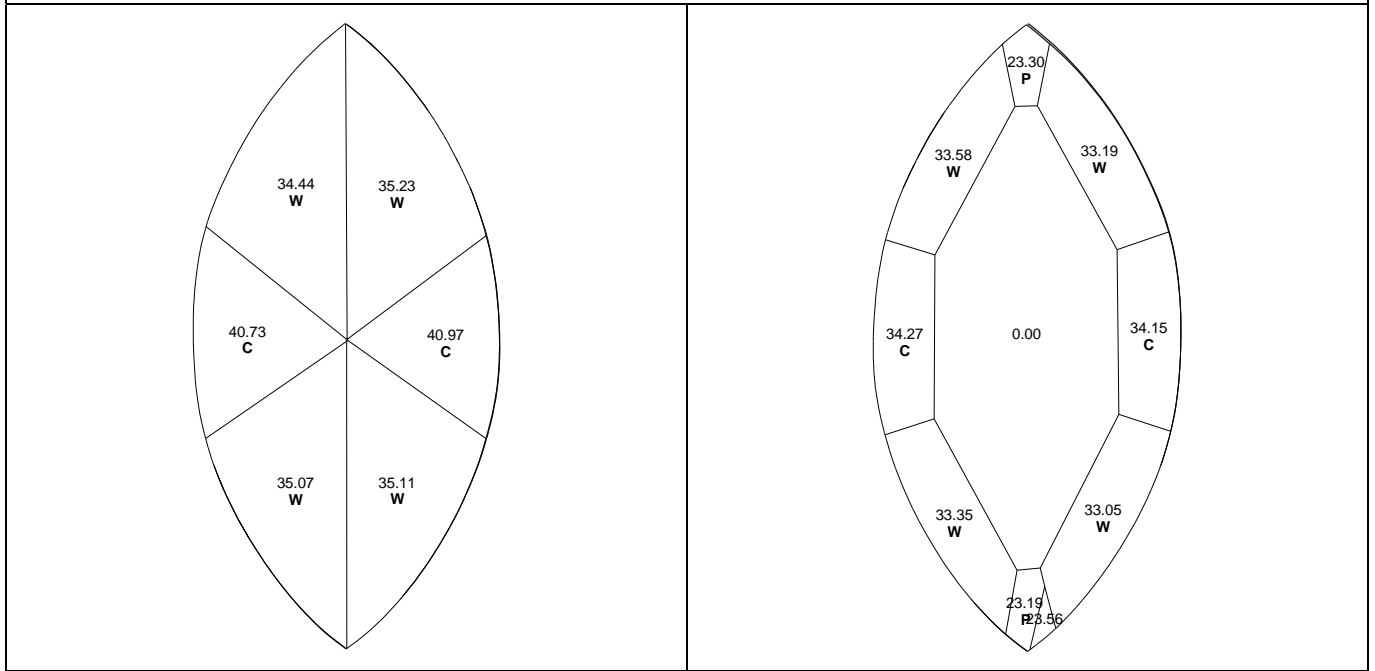


Diameter variation plot

# Facets' azimuth and slope angles

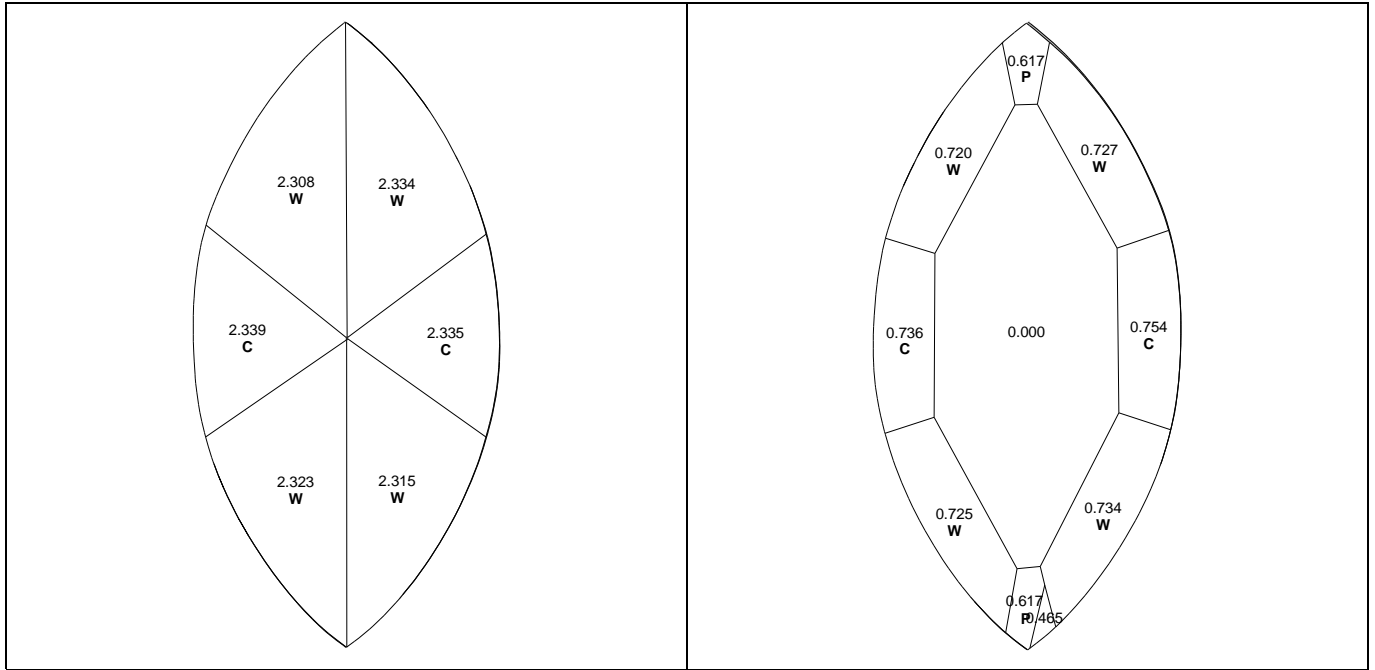


Pavilion and crown views of the diamond with indication of facets' azimuth angles

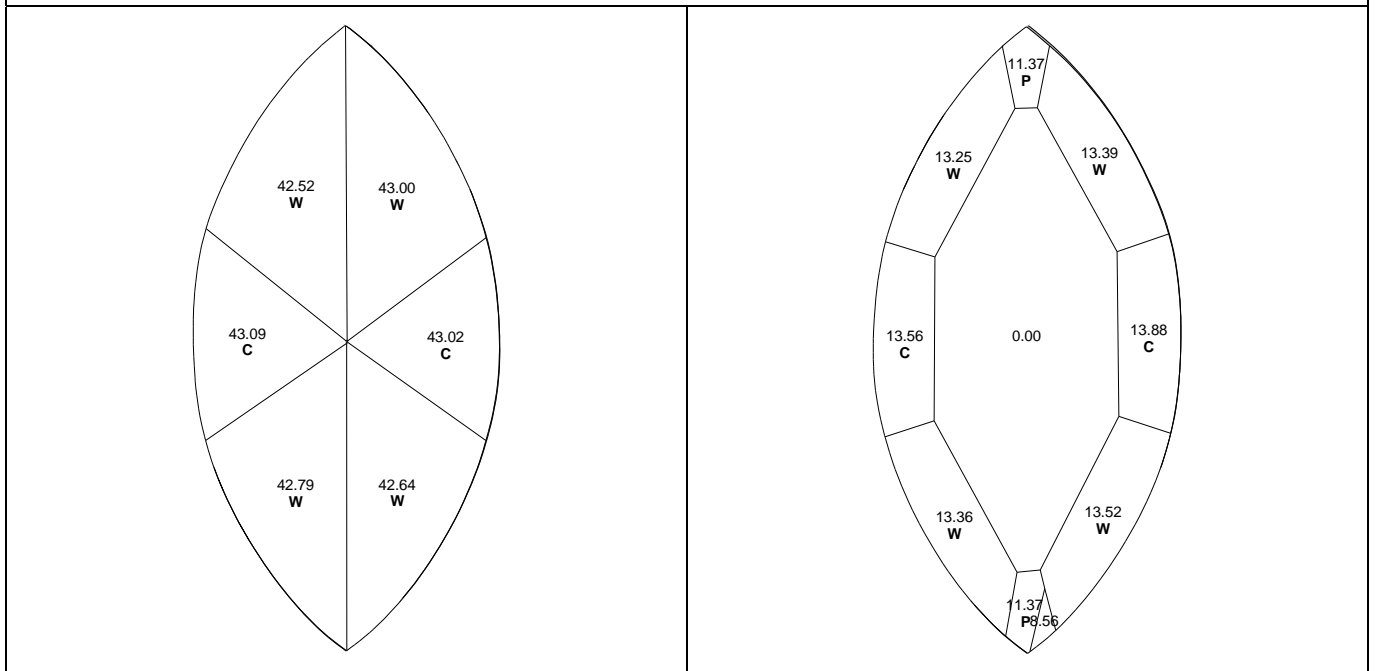


Pavilion and crown views of the diamond with indication of facets' slope angles

# Facets' heights

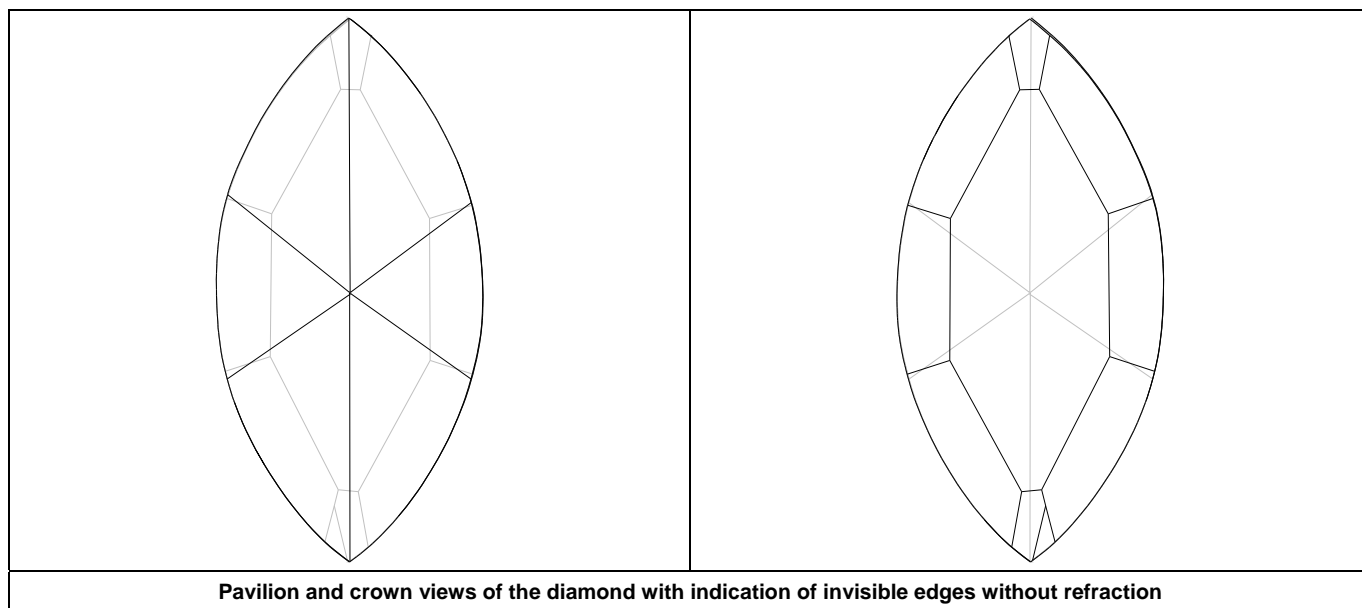





Pavilion and crown views of the diamond with indication of facets' heights (mm)



Pavilion and crown views of the diamond with indication of facets' heights (%)

## Additional illustrations



|   |               |   |              |   |              |
|---|---------------|---|--------------|---|--------------|
|  | Girdle center |  | Culet center |  | Table center |
|---|---------------|---|--------------|---|--------------|